



Special Laboratory Fume Hoods Workstation



Illustration is similar, contains additional equipment

Safety knows no compromise.

Those who work with active substances and hazardous materials must implement a number of measures to protect employees and the surrounding area. We are here to support you.



Are you working safely - and efficiently?

Safety workstations are required to keep employees, products and the surrounding area safe whenever work involves hazardous substances: that includes laboratories, institutions and pharmaceutical companies. In addition to being safe, technical equipment also has to be efficient. This means that safety workstations have to be flexible, versatile and energy-efficient. They should also facilitate efficient processes and ergonomic working.

The new generation of safety workplaces.

With the new Special Laboratory Fume Hoods Workstation, Weiss Pharmatechnik has once again set the standard in terms of safety workplaces. By reducing the amount of exhaust air, the new airflow not only protects the system but also reduces running costs. The integrated extraction and filter technology opens up a much wider range of applications and makes sure that hazardous materials are handled safely. Thanks to numerous options, the Special Laboratory Fume Hoods can be tailored to meet your specific requirements. Tailored entirely to your requirements.

Safety all around - effective and efficient.

Special Laboratory Fume Hoods Workstation.

Reliable protection.

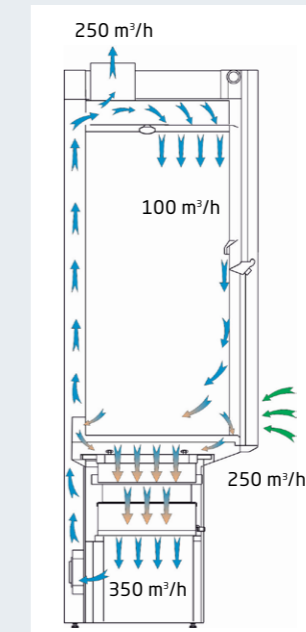
The Special Laboratory Fume Hoods provide tested protection for employees and their surroundings in accordance with DIN EN 14175-3. It is all down to the special airflow principle. The table extraction system reliably traps hazardous pollutants, such as gases and airborne product particles, and makes sure that they are removed using the filters in the frame. Part of the purified air is recirculated to the interior and forms the protective front air curtain.

Ergonomic working.

Good working conditions aren't just safe, they are also pleasant and ergonomic: bright, even LED lighting, quiet operation, variable usable height, width and depth, a variety of work surface materials, various filter solutions and individual media modules. This way, the Special Laboratory Fume Hood can flexibly be fitted to meet any requirements.

Experienced partner for laboratory safety.

From the first meeting through to our after-sales service, our customers appreciate Weiss Pharmatechnik as a long-standing partner of leading laboratories and research institutions. The Special Laboratory Fume Hoods Workstation are suitable for various tasks, including bottling, weighing, cleaning, cutting, assembly, soldering and general laboratory work. They meet or exceed all relevant safety standards.



Our highlights:

- Reduced exhaust air volume and energy costs thanks to a partially circulated air system
- Integrated extraction and filter technology for efficient protection
- Operator protection according to DIN EN 14175-3

More equipment, right from the start.

Basic equipment setting standards.



Illustration is similar, contains additional equipment

You can find further details on equipment in our technical descriptions. **Contact us.**

Protection



- **Optimal - complete protection**

The table extraction system captures vapour, dust and aerosols and guides them to the filters in the frame. This ensures optimal operator protection. It also prevents the accumulation of hazardous substances in the extraction system, reduces the amount of cleaning required and protects the environment.

Interior



- **Smart - air recycling**

A partial air-recirculation system recirculates around one third of the filtered and purified exhaust air. This means that only approximately 250 m³/h exhaust air is discharged through the building's exhaust air system. That's around 60% less than traditional laboratory fume hoods, dramatically reducing energy costs.

- **Consistent - use free capacity**

The amount of exhaust air remains at a consistently low level, even when the front sash is open. This also makes it possible to use multiple safety workstations at the same time in a laboratory with limited exhaust air capacity.

- **Comfortable - working ergonomically**

Bright and spacious working conditions are provided by the integrated LED lighting, the quiet draft-free operation and the generous amount of usable height, width and depth. The slim frame allows also seated activities.

Exterior



- **Flexible - fits anywhere**

The Special Laboratory Fume Hoods can be transported easily through normal doors and placed on the frame without a forklift. Ball casters in the frame make it easy to move, even into small recesses.

Safety and operator protection according to DIN EN 14175-3:

An automatic exhaust air monitoring and a robust retention capacity make it possible!

Tailored workstation.

Options for special requirements.

Interior



- **Variable - flexible filtering**

The Special Laboratory Fume Hoods Workstation can be fitted with different filters and combinations of filters. These include activated carbon filters for general chemistry, HEPA and activated carbon filters for powdery active substances and special filters for reactive reagents.

- **Safe - additional sensors**

A gas detector signals the saturation level of the activated carbon filter. For additional safety, a fluid sensor in the collection tray beneath the work surface can trigger an alarm in the event of an accident.

Exterior



- **Functional - modules at choice**

The media column can be equipped with up to six media modules, such as electricity, argon, nitrogen, compressed air, vacuum and cooling water. It also has an integrated touch display for ease of use.

- **Automatic - opens and closes safely**

The front sash can be chosen as needed: a single pane or three panes of laminated safety glass and in manual or electric design. The electric version has a light barrier which automatically stops the movement of the sash if an obstacle is detected.

- **Proactive - save money with standby**

The presence sensor completes the electric front sash. If the work area is vacated, the sensor automatically lowers the front sash after an adjustable amount of time and activates the cost-saving standby mode.

You can find further details on equipment in our technical descriptions. **Contact us.**

Convincing technology. Reliable results.

The performance data at a glance:

Name	Workstation		
Dimensions	External dimensions, W ¹ x D x H	mm	1500 x 900 x 1650
	Work area, W x D x H	mm	1400 x 720 x 1420
	Clear opening, sash fully open, W x H	mm	1200 x 700
	Usable work surface, W x D	mm	1255 x 635
	Frame dimensions, W x D x H	mm	1500 x 750 x 850 ± 10
Ventilation data	Operating mode		Exhaust air ² with partial recirculation
	Exhaust air volume flow discharged to building exhaust air system	m ³ /h	approx. 250
	Total air volume flow	m ³ /h	approx. 350
	Circulating air volume flow	m ³ /h	approx. 100
	Fresh air volume flow through front opening	m ³ /h	approx. 250
	Volume flow regulator, mechanical/electrical	mm	DN 160
Filter data	Activated carbon exhaust air filter		MDF filter boxes, each with 15 kg activated carbon
	Prefilter and afterfilter		Fine dust filter: G4 filter fleece
	HEPA exhaust air filter	%	H14 filter, degree of separation: E ≥ 99.995, in accordance with DIN EN 1822-1
Electrical data	LED lighting	W	20
	Voltage	V/Hz	230/50
	Output ³	kW	0.18
	Current	A	0.8
General technical data	Sound pressure level, front sash open	dB(A)	≤ 55
	Light intensity, average	lux	≥ 650
	Weight	kg	470

¹Other sizes: 1200 and 1800 mm width.

²System can only be operated if connected to building exhaust air system.

³May vary depending on equipment and use.

All specified parameters assume ambient temperature 22 °C ± 2 °C and air humidity 40 to 60% RH.

Subject to technical changes.



We measure ourselves by our service!

**24/7-Service-Helpline:
+49 441 57054 110**

Our services - lots of good reasons:

- Global service network
- Wide selection of preventive maintenance
- Reliable spare part supply
- Special deployments available any time
- Certified proper disposal of outdated devices

Our Service Experts are always near you.

Passionately innovative.

We work in partnership to support companies in research, development, production and quality assurance.
With 22 companies in 15 countries at 40 locations.

weisstechnik

Test it. Heat it. Cool it.



Environmental Simulation

The first choice for engineers and researchers for innovative, safe environmental simulation facilities. In fast motion, our test systems can simulate all the influences in the world as well as for instance in space. In temperature, climate, corrosion, dust or combined stress tests. With a very high degree of reproducibility and precision.



Air Solutions

As the leading provider of clean rooms, climate technology and air dehumidification, we consistently ensure optimal climatic conditions for people and machines. For industrial production processes, in hospitals, mobile operation tents or in the field of information and telecommunications technology. From project planning to implementation.



Heat Technology

Experienced engineers and designers develop, plan and produce high-quality, reliable heat technology systems for a broad range of applications from heating and drying cabinets to microwave systems and industrial furnaces.



Pharmaceutical Technology

With decades of experience and know-how, we guarantee the most sophisticated clean air and containment solutions. Our comprehensive and innovative range of products includes barrier systems, laminar flow systems, safety workbenches, isolators, airlocks and stability test systems.

Weiss Pharmatechnik GmbH

Georg-Bölts-Straße 2-8

26135 Oldenburg/Germany

info.pharma@weiss-technik.com

www.weiss-technik.com



WPT-Workstation-01.01E/PP 1.0/10 2019

Get Your Pharmaceutical Solution.